

ATRAFLAM 16/9 1000 - PLUS
Features

Nominal heat output	: 12 kW
Relative humidity of test wood at 15 %	
CO emission (at 13%O ₂)	: 0.10 %
Flue gas temperature	: 289°
Efficiency	: 75 %
Authorized combustible	: Wood
Recommended draught conditions	: 15 Pa ± 2
Total weight	: 366 kg
Energy efficiency index	: 98.8

Air supply

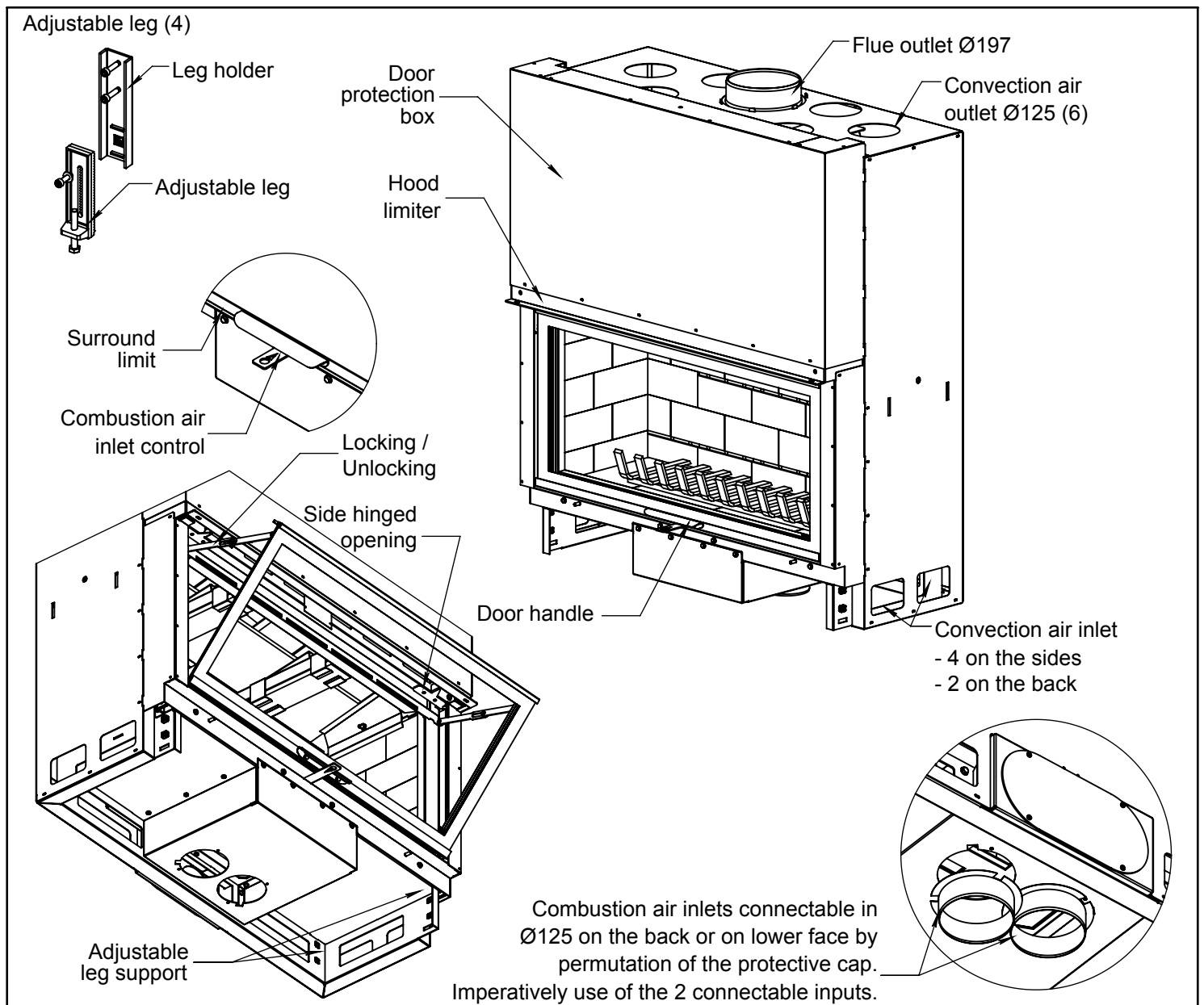
- Requirement for external fresh air inlet
Minimum of 250 cm² of air passage cross-section for the operation of the fireplace.
 Combustion air inlet connectable in 2xØ125.
 Warning ! the Ø of the combustion air inlet duct must be provided to compensate for the pressure losses due to the air circuit.

- Internal convection air inlet
 Minimum of 680 cm² for the cross section area

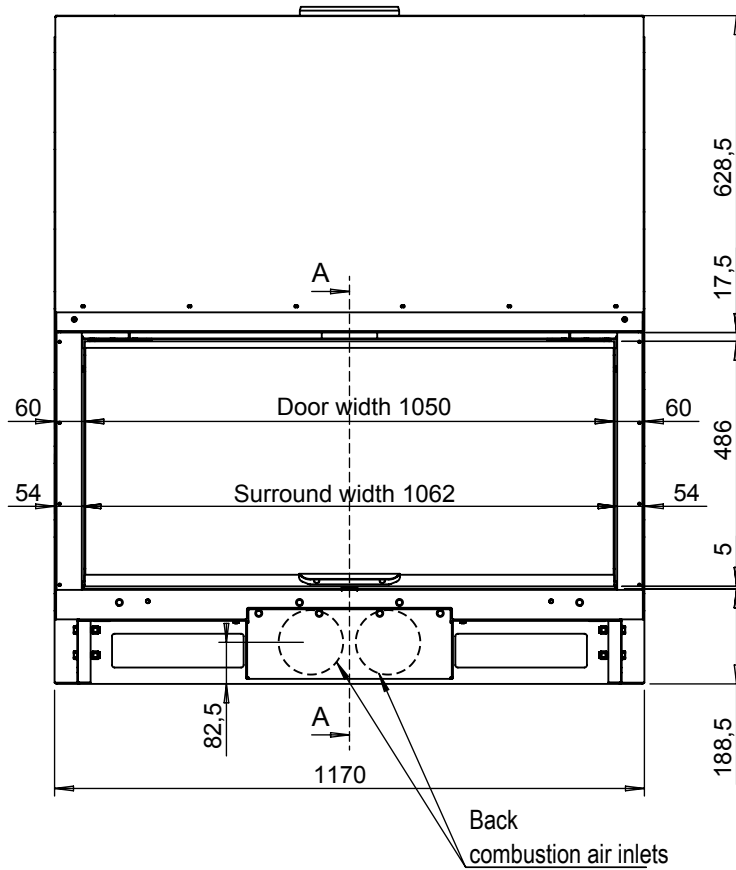
- Convection air outlet
 6 outlets Ø 125 male (cannot be blocked)
 Minimum of 735 cm² for the cross section area

Flue pipe convection

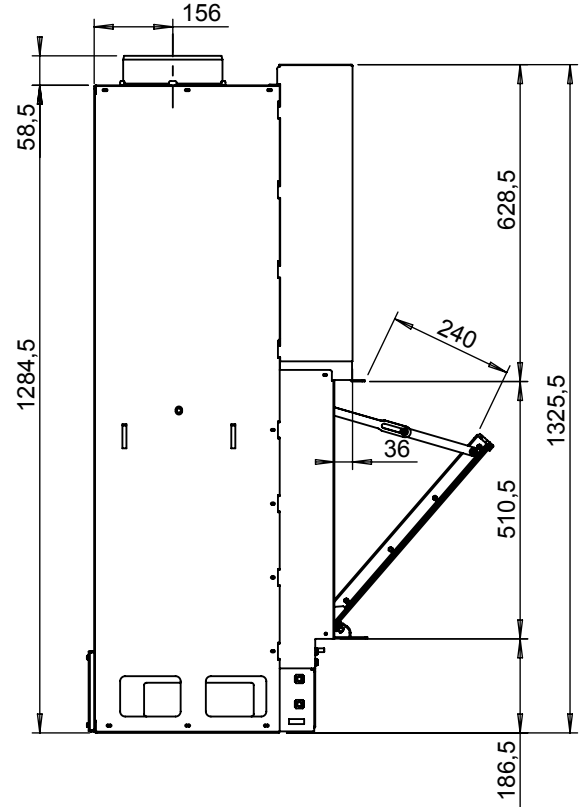
Ø197 male (cannot be reduced)



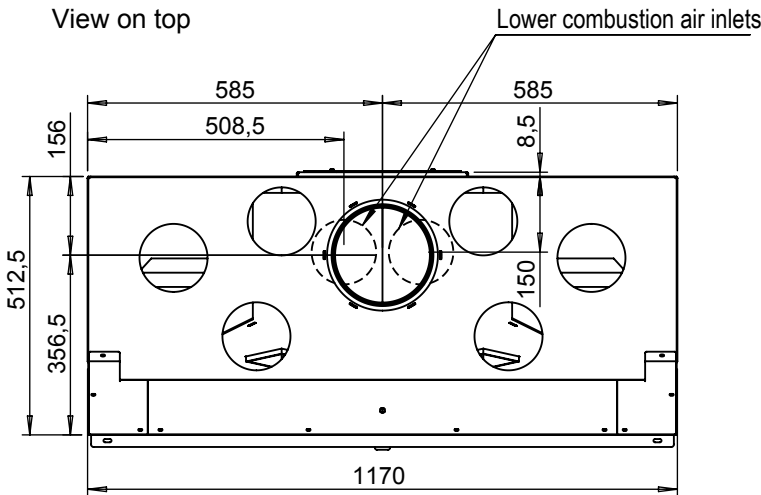
Face view



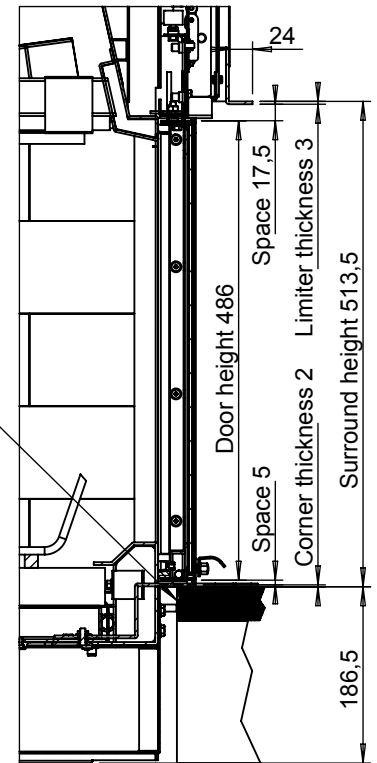
Side view



View on top



Maximum overlap under the front corner cover of 20 mm.



Vertical cross section A-A (1 : 8)

General tolerance: ± 2 mm

According to standard: NF.EN 13 229

Notified body:

CTIF, 44 av. de la Division Leclerc
92318 Sèvres Cedex

Test report n° TD 4729

Guy-Cédric Galéa, Directeur général

Jøtul France SAS

3, chemin du Jubin - 69574 Dardilly Cedex